

HOME MOTION by

somfy®

Comfort & Convenience

Convenient solution for glare reduction and privacy.
Superior performance, reliability and ease of operation.
Close and open all draperies with a single gesture.
Smartphone and tablet app available for quick and easy control even while away.

Energy Savings

Reduce energy costs and protect furnishings from damaging UV rays.
Utilize timers to schedule daily open and close times.
Add sensors that react to the sun's intensity & positioning.

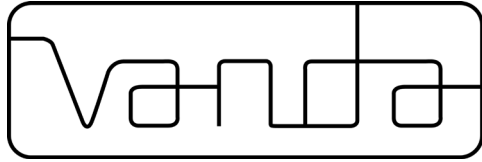
Flexibility and Reliability

Extends the lifespan of draperies by minimizing the damage associated with manual operation.
Compatible with all types of draperies and broad range of controls, sensors, timers and third party automation systems.

Additional Features

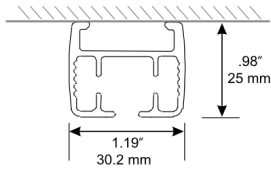
Clean premium design with brushed aluminum finish on motor.
Adjustable limit setting provides alignment of drapery fabric. Adjustable speed control.
Touch motion allows the user to activate the motorized drapery simply by pulling on the fabric.
Manual override disengages the motor when the drapery is adjusted manually, ideal for power outages.
'My function' allows user to set a preferred drapery openness position for quick access.
Easy Installation. Spring loaded one-touch hardware (wall and ceiling mount).
5 Year Warranty



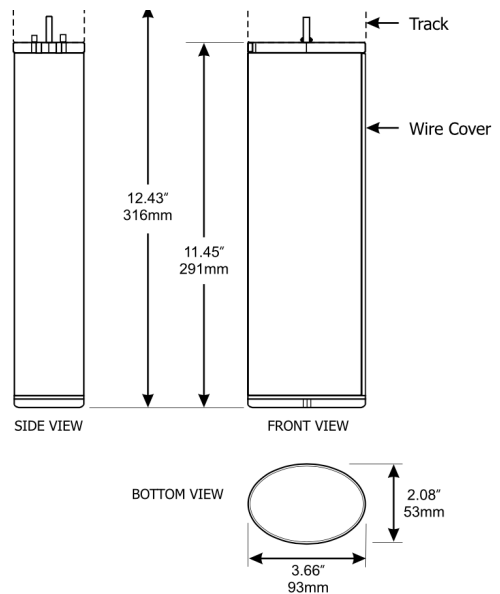


HOME MOTION by
somfy®

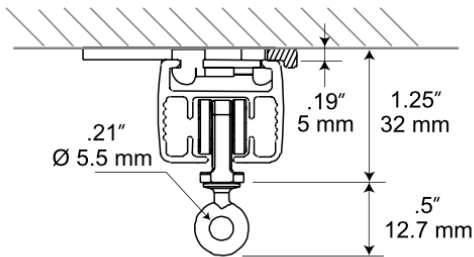
GLYDEA TRACK PROFILE



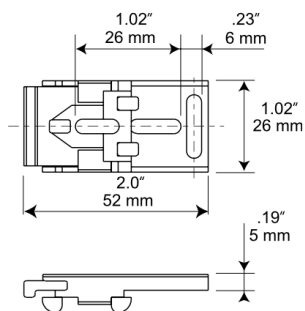
GLYDEA MOTOR DIMENSIONS



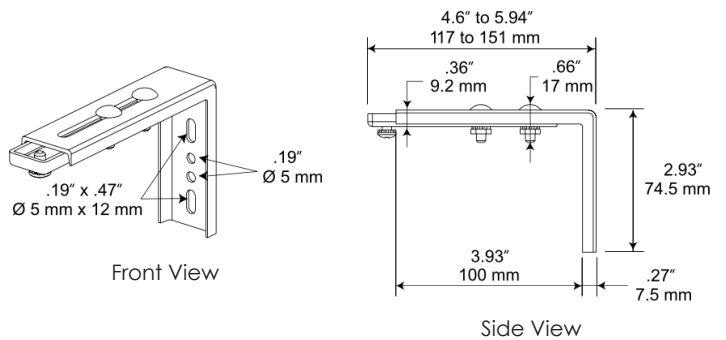
GLYDEA TRACK WITH GLIDE/CARRIER



GLYDEA TOP FIX BRACKET



GLYDEA FACE FIX BRACKET



VANDA HOLDINGS LTD
 Auckland – Unit G, 166 Marua Road, Ellerslie, Auckland
 Christchurch – 43 Epsom Road, Sockburn, Christchurch
 P: 0800 826 326 F: 09 580 1351
 E: admin@vanda.co.nz
 www.vanda.co.nz